

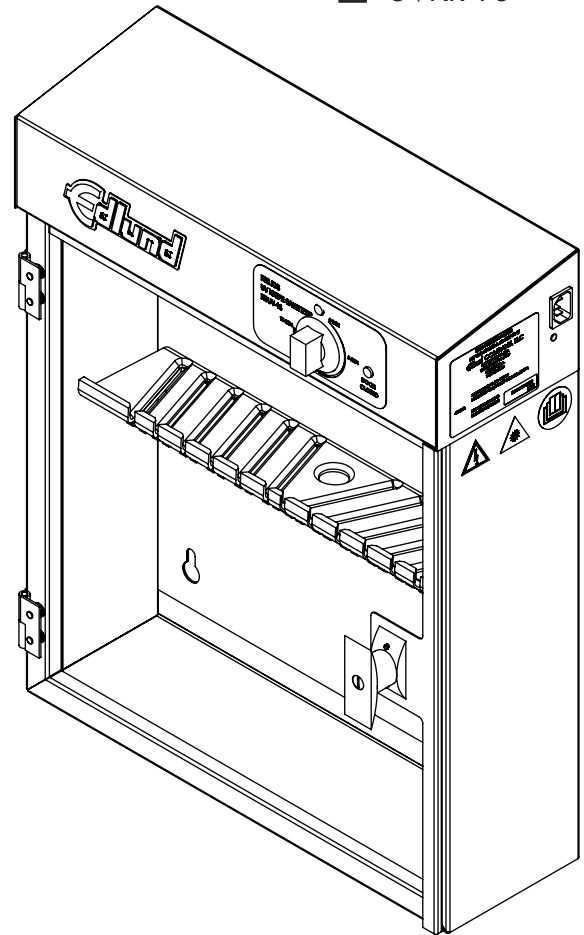
Standard Features

- NSF Component Certified (model UVKR-18 included knife rack)
- 15 minute belled timer
- Holds up to 12 knives plus steel*
- Stainless steel construction
- LED lights indicate when door is closed and sterilization is in process
- UV Filtered plexiglass door with lockable keyed handle
- Exclusive non UV filtering slotted knife holder
- Made in U.S.A.
- 2 Larger slots to accommodate cleavers
- 115 volts
- Cord with plug
- Safety interlock door
- **99% effective in 3 minutes

* Exclusive non UV filtering knife holder and mirrored interior walls eliminate shadows on knife surfaces which provides 99% sterilization. Knife holder can accommodate 12 knives or 10 knives and 2 cleavers plus one steel.

**Independent laboratory testing indicated 99% reduction in E. coli bacteria.

- KSUV-18-JF
- UVKR-18



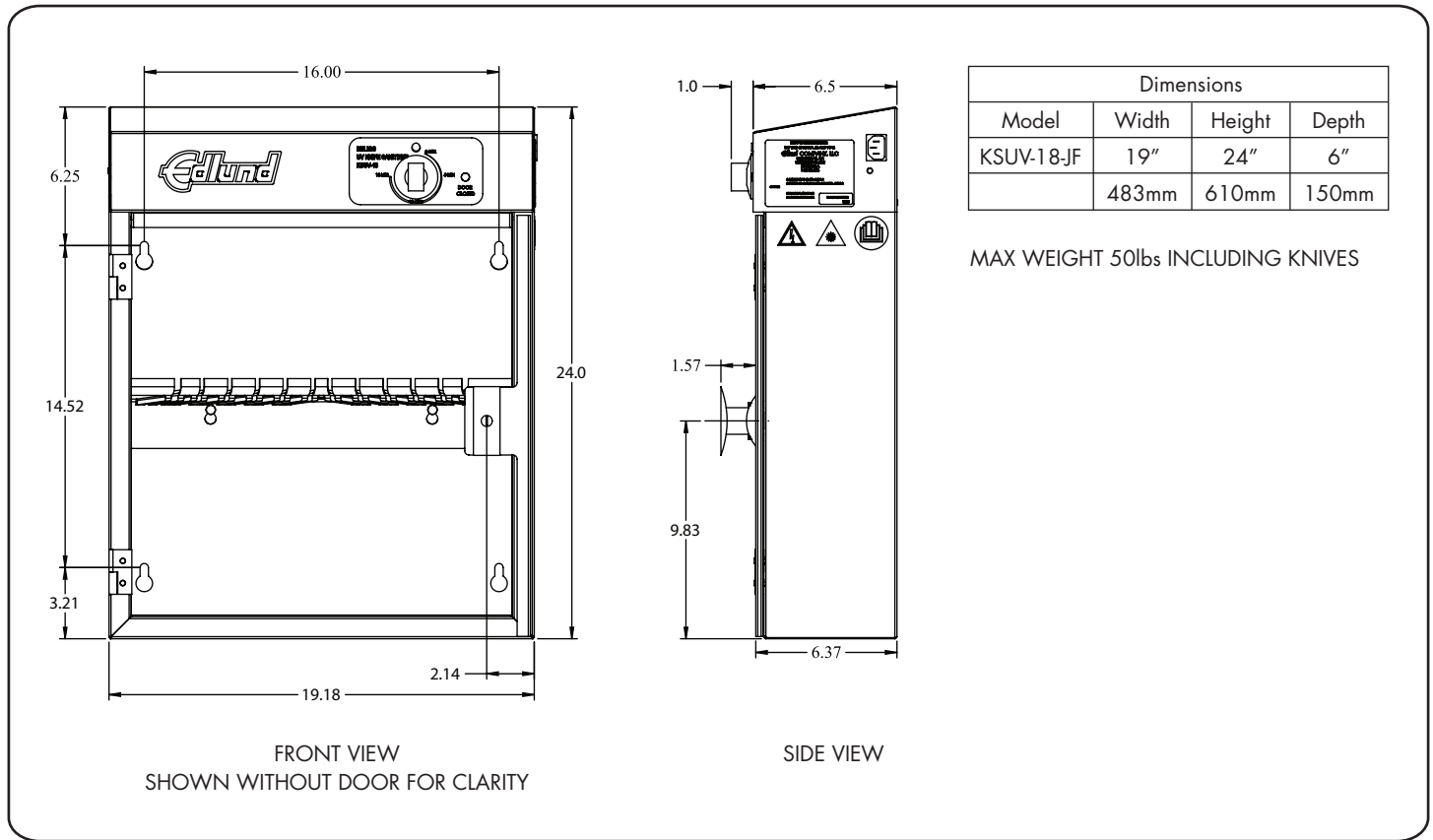
Model KSUV-18-JF

Job # _____
Item # _____



Intertek

Model: KSUV-18-JF



UTILITY INFORMATION

ELECTRICITY: 115VAC 60Hz FLA 0.60 amp 70 W

SPECIFICATIONS:

MODEL #	DESCRIPTION	PRODUCT CODE	CASE CUBE FT3/M3	CASE WEIGHT LBS./KGS
KSUV-18-JF	ELECTRIC UV KNIFE STERILIZATION (CABINET 115 VOLT)	39150	4.30/0.11	30/13.7
UVKR-18	REPLACEMENT KNIFE RACK	UV006	NA	NA

JFA | **J. Frishman**
ASSOCIATES

740 South Federal Highway, #506, Pompano Beach, FL 33062
phone: 617-513-4511 fax: 954-943-8062 shamu@jfrishman.com



Edlund Company LLC, 159 Industrial Parkway, Burlington, VT 05401, USA 800-772-2126 www.edlundco.com